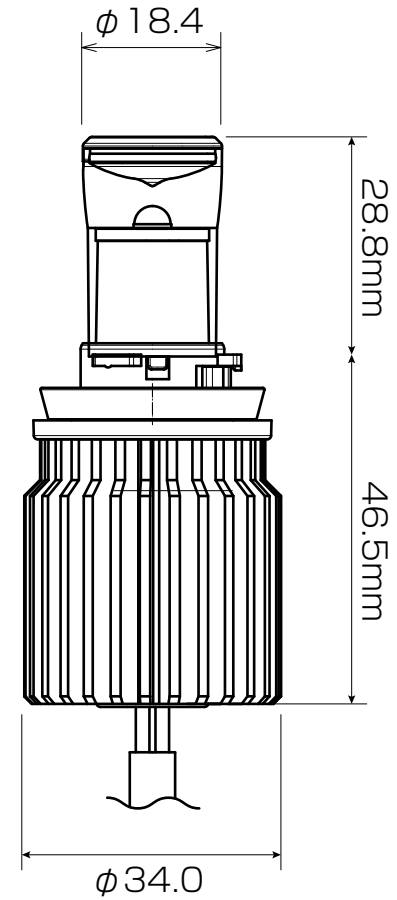


HB4



H8/H11/H16